



Heating Systems Company

A subsidiary of **BRADFORD WHITE** Corporation

RESIDENTIAL AND COMMERCIAL INDIRECT REPLACEMENT PARTS LIST

LAARS[®]-STOR[™] Single-Wall Indirect Models



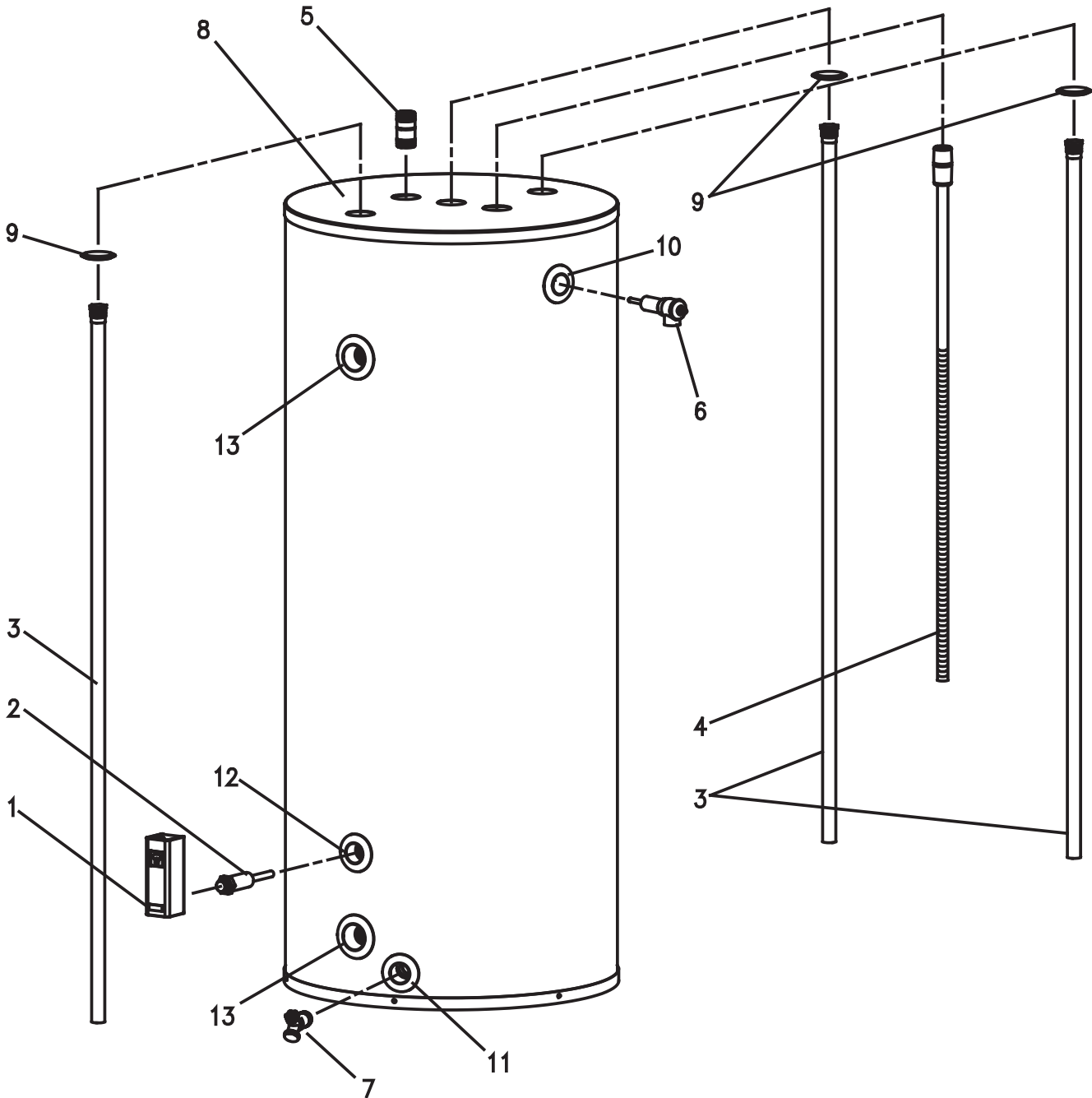
Effective: May 31, 2006

ECO 6763

**NOTE: BOTH MODEL AND
SERIAL NUMBER ARE
REQUIRED FOR ORDERING
REPLACEMENT PARTS**

Dimensions and specifications subject
to change without notice.

Reference Number & Description	
1	Aquastat
2	Aquastat Well
3	Anode (aluminum)
4	Dip Tube, Polysulfone
5	Outlet Nipple
6	T&P Relief Valve
7	Brass Drain Valve
8	Jacket Head
9	Hole Closure
10	Escutcheon
11	Escutcheon
12	Finish Flange
13	Escutcheon



Parts Common To LS-SW-2-30-L, LS-SW-2-40-L, LS-SW-2-50-L

Reference Number and Description	Part Number
1 Aquastat	233-43381-00
2 Aquastat Well	233-43315-00
3 Anode (aluminum)	224-38508-06
6 T&P Relief Valve	230-40594-02
7 Brass Drain Valve	227-42351-02
9 Hole Closure	239-31547-02
10 Escutcheon	239-41337-00
11 Escutcheon	239-41337-00
12 Finished Flange	239-41337-00
13 Escutcheon	239-43303-00

Parts Unique To LS-SW-2-30-L

Reference Number and Description	Part Number
4 Dip Tube, Polysulfone*	229-39628-02
5 3/4 NPT Outlet Nipple*	229-43386-01
8 Jacket Head	243-45259-01

Parts Unique To LS-SW-2-40-L

Reference Number and Description	Part Number
4 Dip Tube, Polysulfone*	299-39628-02
5 3/4 NPT Outlet Nipple*	299-43386-01
8 Jacket Head	243-44974-01

Parts Unique To LS-SW-2-50-L

Reference Number and Description	Part Number
4 Dip Tube, Polysulfone*	229-39628-02
5 3/4 NPT Outlet Nipple*	229-43386-01
8 Jacket Head	243-44974-02

Parts Common To LS-SW-2-65-L, LS-SW-2-80-L, LS-SW-2-120-L

Reference Number and Description	Part Number
1 Aquastat	233-43381-00
2 Aquastat Well	233-43315-00
3 Anode (aluminum)	224-38508-07
6 T&P Relief Valve	230-40594-02
7 Brass Drain Valve	227-42351-02
9 Hole Closure	239-31547-02
10 Escutcheon	239-41337-00
11 Escutcheon	239-41337-00
12 Finished Flange	239-41337-00
13 Escutcheon	239-43303-00

Parts Unique To LS-SW-2-65-L

Reference Number and Description	Part Number
4 Dip Tube, Polysulfone*	229-39628-10
5 3/4 NPT Outlet Nipple*	229-43386-01
8 Jacket Head	243-45259-01

Parts Unique To LS-SW-2-80-L

Reference Number and Description	Part Number
4 Dip Tube, Polysulfone*	229-39628-10
5 3/4 NPT Outlet Nipple*	229-43386-01
8 Jacket Head	243-44974-01

Parts Unique To LS-SW-2-120-L

Reference Number and Description	Part Number
4 Dip Tube, Polysulfone*	229-43632-04
5 1" NPT Outlet Nipple*	229-43386-03
8 Jacket Head	243-43322-01

Parts Common To LS-SW-65C-5, LS-SW-80C-5, LS-SW-120C-5

Reference Number and Description	Part Number
1 Aquastat	233-43381-00
2 Aquastat Well	233-43315-00
3 Anode (aluminum)	224-38508-07
6 T&P Relief Valve	230-33630-04
7 Brass Drain Valve	227-42351-02
9 Hole Closure	239-31547-02
10 Escutcheon	239-81470-02
11 Escutcheon	239-41337-00
13 Escutcheon	239-43303-00

Parts Unique To LS-SW-65C-5

Reference Number and Description	Part Number
4 Dip Tube, Polysulfone*	229-43632-01
5 1" NPT Outlet Nipple*	229-43386-02
8 Jacket Head	243-45259-02

Parts Unique To LS-SW-80C-5

Reference Number and Description	Part Number
4 Dip Tube, Polysulfone*	229-43632-01
5 1" NPT Outlet Nipple*	229-43386-02
8 Jacket Head	243-45259-02

Parts Unique To LS-SW-120C-5

Reference Number and Description	Part Number
4 Dip Tube, Polysulfone*	229-43632-04
5 1" NPT Outlet Nipple*	229-43386-03
8 Jacket Head	243-43322-01
12 Escutcheon	239-41414-00

*Nipple extender 229-19000-00 may be required on earlier models, please provide serial number.



800.900.9276 • Fax 800.559.1583 (*Customer Service, Service Advisors*)
20 Industrial Way, Rochester, NH 03867 • 603.335.6300 • Fax 603.335.3355
1869 Sismet Road, Mississauga, Ontario, Canada L4W 1W8 • 905.238.0100 • Fax 905.366.0130
www.Laars.com

Litho in U.S.A. © Laars Heating Systems 0806 Document 11018